

# ZESTO

## Electric Conveyor Oven CE 4832



- \* 32" (81cm) conveyor belt.
- \* Stainless Steel Construction.
- \* Front mount controls for easy view and access.
- \* Electronic temperature control with digital read-out.
- \* Variable digital speed control on conveyor belt.
- \* Cook time from 1 - 20 minutes.
- \* Reversible conveyor belt direction.
- \* Thermally insulated for energy efficiency.

- \* High velocity precision targeted air flow distribution panels for consistent repeatable baking results.
- \* Stackable (up to 2 units high).
- \* Super efficient electric tubular elements.
- \* Removable front panel, crumb tray, top and bottom air flow distribution panels for easy cleaning.
- \* Legs with locking casters (17", 23" or 29" available)



Removable panels for easy cleaning  
"U.S." Patent # 6,192,877 B1

**Ideal for a variety of cooking applications including pizza, seafood, omelettes and other egg dishes, pre-cooked meats, cookies, bakery products, pita breads, heating plated Mexican food and hot submarine sandwiches.**

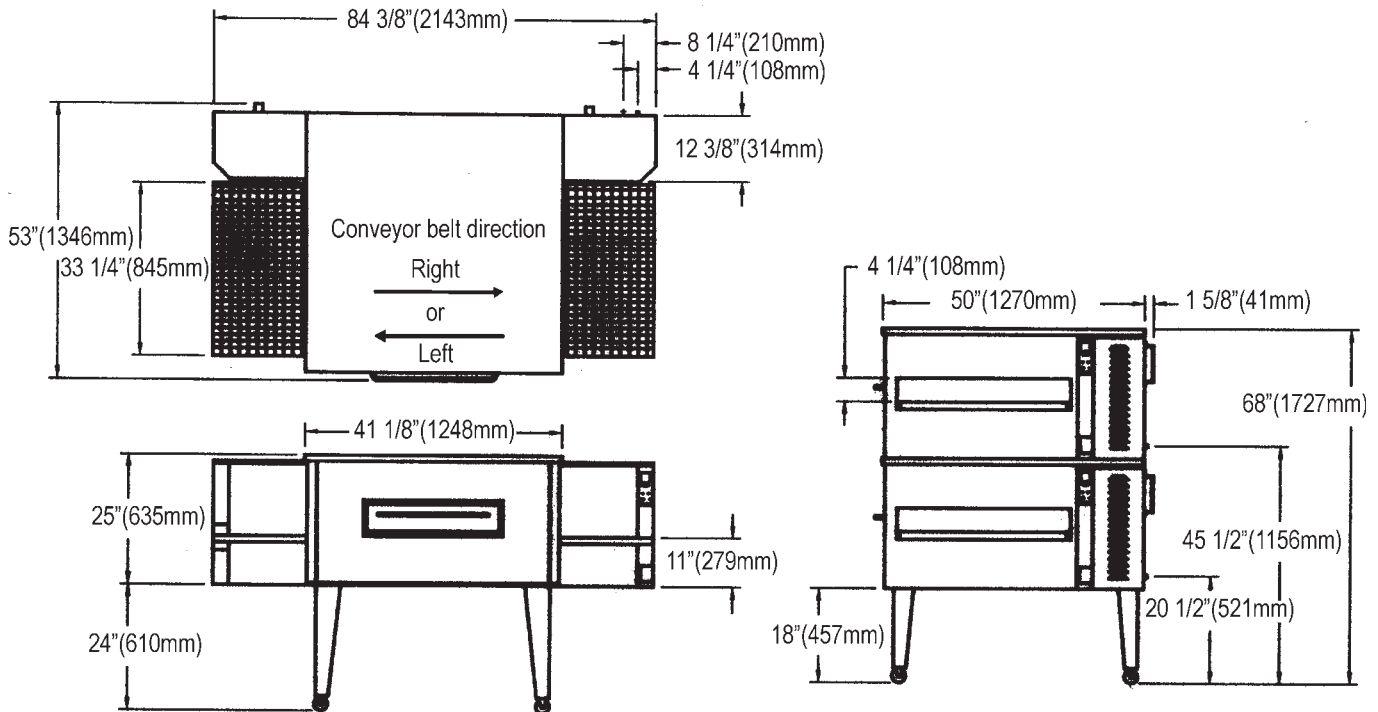
# Electric Conveyor Oven

## CE 4832



Conforms to: ANSI / UL Std. 197  
Conforms to: CSA C22.2 Std. 109

Conforms to:  
Std. NSF-4



<b>Approximate production per hour / per section / bake time in minutes (4832)</b>							
Pan diameter	5 min	6 min	6.45 min	7 min	7.5 min	8 min	9 min
6" (15 cm)	510	423	393	362	339	318	281
8" (20 cm)	285	237	220	202	189	178	157
10" (25 cm)	181	151	139	129	119	113	101
12" (30 cm)	125	103	96	89	83	78	69
14" (35 cm)	91	75	69	65	59	56	50
16" (40 cm)	70	57	52	49	45	43	38

Cooking Chamber 48" (121.9 cm) long X 32" (81 cm) deep

Model	Electric elements/kw	Exterior dimensions	Length of belt	Voltages / Amps		Ship wt..
CE 4832	(9 X 4.5 kw) = 40.5 kw	84"L x 50"D 213cm x 127cm	84"L x 32"D 213cm x 81cm	220-240v / 1 $\phi$ (192 - 177 amps) ** 400v / 3 $\phi$ (66.5 amps) ** 600v / 3 $\phi$ (47 amps)	208-220v / 3 $\phi$ (120- 114 amps) ** 480v / 3 $\phi$ (56.7 amps) ** Optional at extra cost	1050 lbs 476 kg

Available in 50 or 60 cycles. Amperage could vary if input volts are not the same as indicated.

**ZESTO** FOOD EQUIPMENT MANUFACTURING INC.  
MANUFACTURIER D'EQUIPEMENT EN ALIMENTATION INC.  
6450 HUTCHISON, MONTREAL, QC, CANADA H2V 4C8  
TEL(514)278-4621 FAX(514)278-4622  
e-mail info@zesto.ca www.zesto.ca

SPECIFICATIONS SUBJECT TO CHANGE WITHOUT NOTICE.

LES SPÉCIFICATIONS SONT SUJETS À CHANGEMENT SANS AVIS.